

CLARKE®



WORKBENCH WITH BACK PANEL & DRAWER

MODEL NO: CWBR1B & CWBG1B

PART NO: 7637706 & 7637707

ASSEMBLY INSTRUCTIONS

ORIGINAL INSTRUCTIONS

DL0822 - Rev 2

INTRODUCTION

Thank you for purchasing this CLARKE workbench. CWBR1B (red) and CWBG1B (galvanised).

Before attempting to use this product, please read and follow the instructions carefully. In doing so you will ensure the safety of yourself and that of others around you, and you can look forward to your purchase giving you long and satisfactory service.

Please keep these instructions in a safe place for future reference.

GUARANTEE

This product is guaranteed against faulty manufacture for a period of 12 months from the date of purchase. Please keep your receipt which will be required as proof of purchase.

This guarantee is invalid if the product is found to have been abused or tampered with in any way, or not used for the purpose for which it was intended.

Faulty goods should be returned to their place of purchase, no product can be returned to us without prior permission. This guarantee does not effect your statutory rights.

ENVIRONMENTAL PROTECTION



Do not dispose of old products or damaged parts with general household waste. All tools, accessories and packaging no longer required should be sorted, taken to a recycling centre and disposed of appropriately.

UNPACKING

Open the carton and lay out the components carefully, identifying them according to the component parts list. All components have identifying stickers that correspond with the component parts list.

Should any part be damaged or missing, please contact your Clarke dealer immediately for replacement.

COMPONENT PARTS

Item	Description	Qty
A	Front Leg Post	2
B	Left Rear Post	1
C	Right Rear Post	1
D	Drawer Mounting Beam (Left)	1
E	Drawer Mounting Beam (Right)	1
F	Side Beam	4
G	Long Beam (see note on page 5)	4
H	Left Upper Post	1
I	Right Upper Post	1
J	Top Long Beam	2
K	Top Left Side Beam	1
L	Top Right Side Beam	1
M	Drawer Front Panel	1
O	Drawer Rear Panel	1
P	Drawer Side Panel	2
Q	Drawer Bottom Panel	1
R	Pegboard	1
S	Bottom Shelf Panel	1
T	Workbench Panel	1
U	Top Shelf Panel	1
V	Pegboard Support Bracket	1
W	Drawer Runner	2

Fixing Pack

Item	Description	Qty	Item	Description	Qty
1	Bolt M6 x 12	8	6	Nut M6	68
2	Pegboard Hooks	30	7	Handle	2
3	Screw M4 x 8	6	8	Nut M4	16
4	Bolt M4 x 10	16	9	Washer	68
5	Plastic Feet	4	10	Bolt M6 x 8	60

ASSEMBLY

All fixing bolts should be entered from the outside and secured on the inside by the washers and nuts provided.

Assembly should be carried out with all nuts finger tight only - **DO NOT** tighten the nuts until the structure is fully assembled as described in the instructions. Assembly may be easier with the help of a second person.

The assembly procedure is as follows:

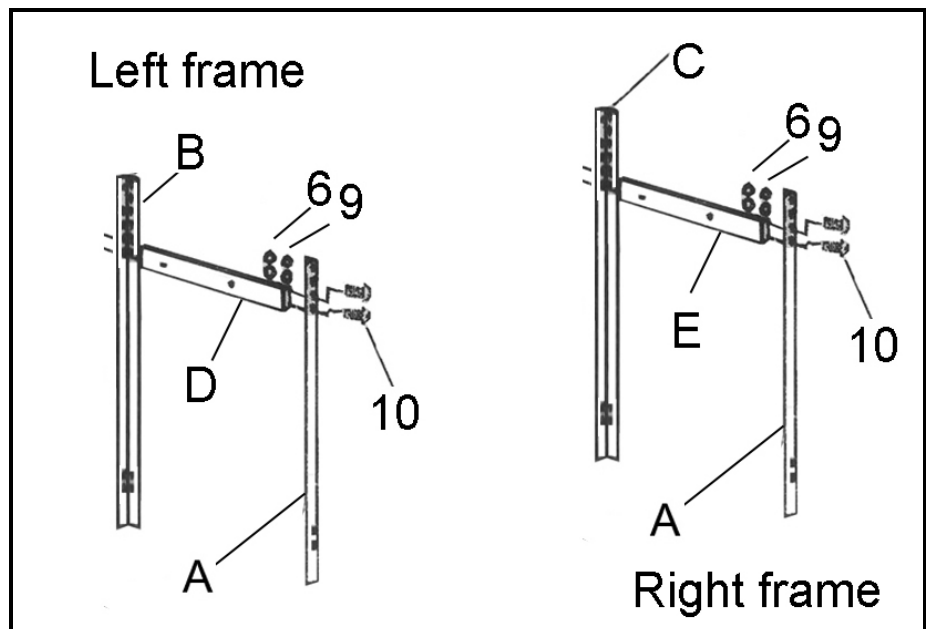
TOOLS REQUIRED

- PH1 Cross Headed Screwdriver
- PH2 Cross Headed Screwdriver
- 7mm Spanner or Ratchet
- 10mm Spanner or Ratchet
- Pliers

ASSEMBLE THE FRAMEWORK

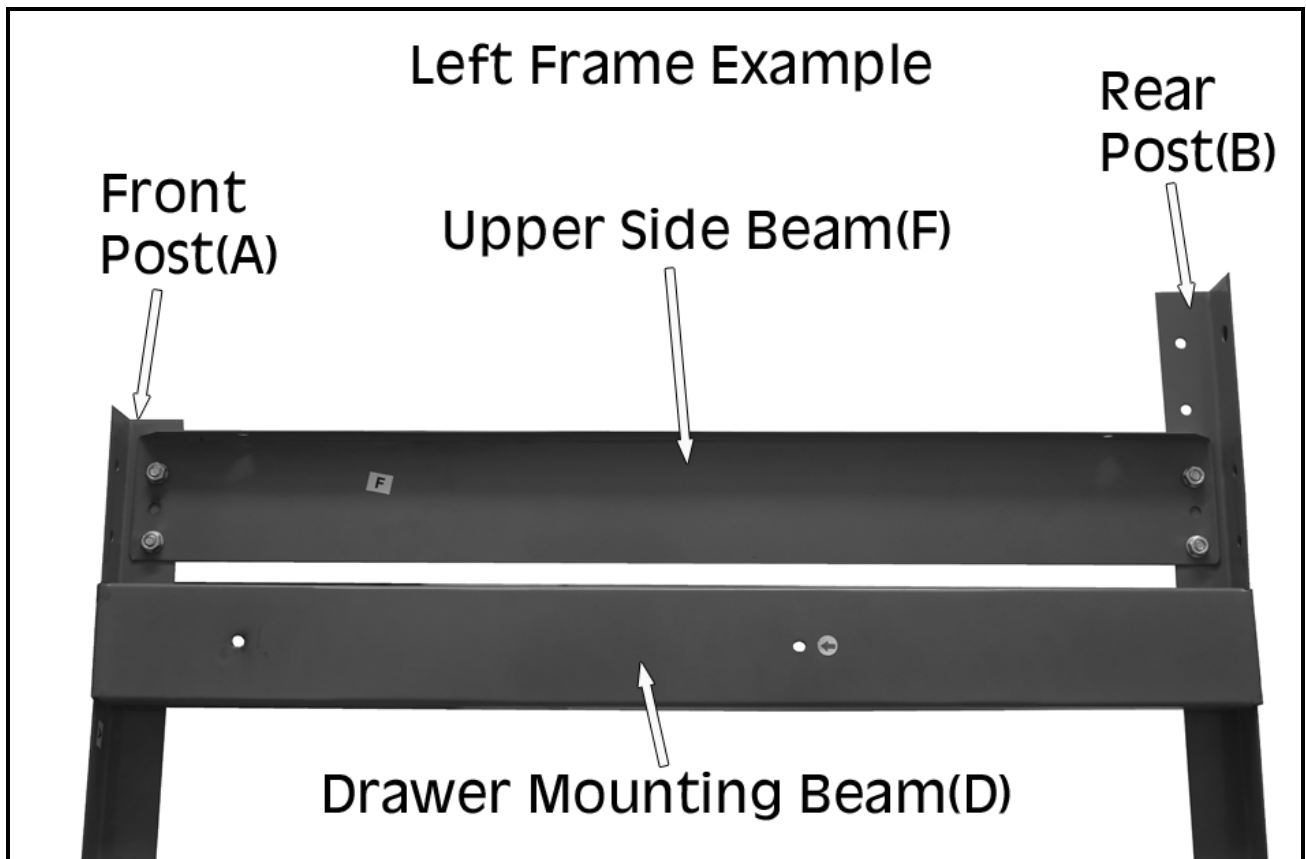
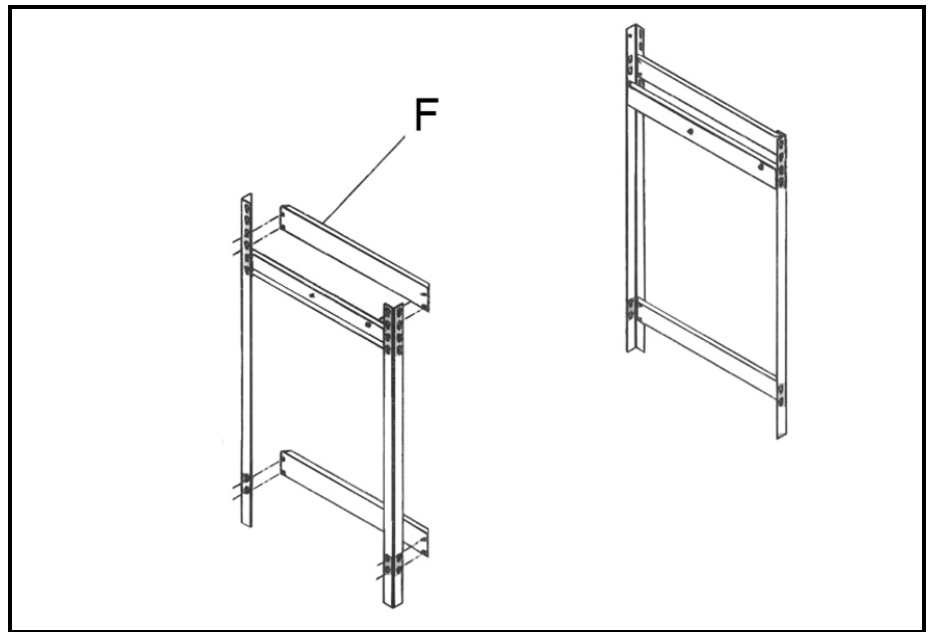
The frame comprises left and right-hand side assemblies.

1. Fit the drawer mounting beam (E) between a front post (A) and rear post (C) to create the right-hand side assembly using nuts (6), bolts (10) & washers (9).



- Use the lower set of bolt holes in the posts for this.
2. Repeat for the left-hand side assembly using the rear post (B), front post (A) and drawer mounting beam (D).

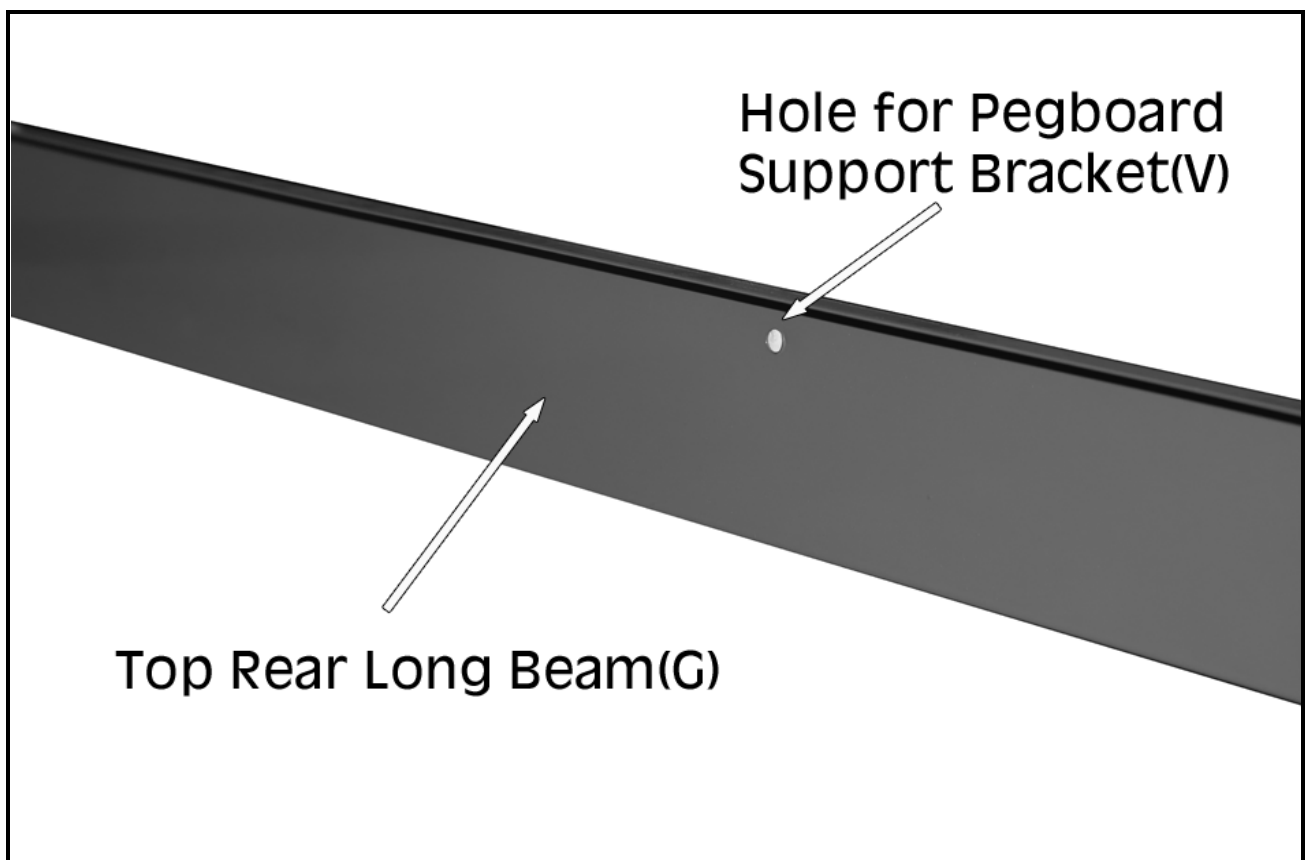
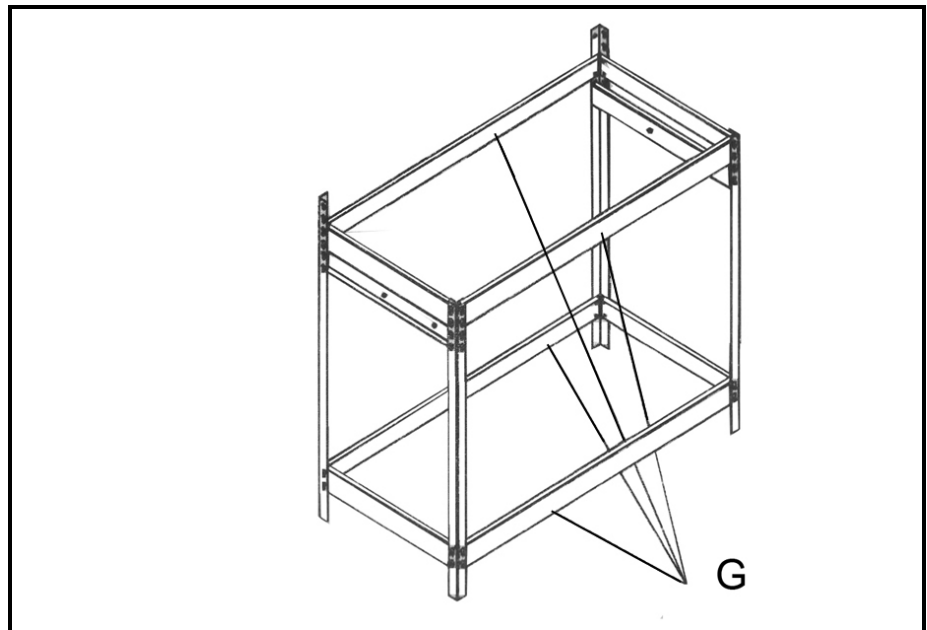
3. Fit the four side beams (F) using the higher bolt holes to complete the two side assemblies.



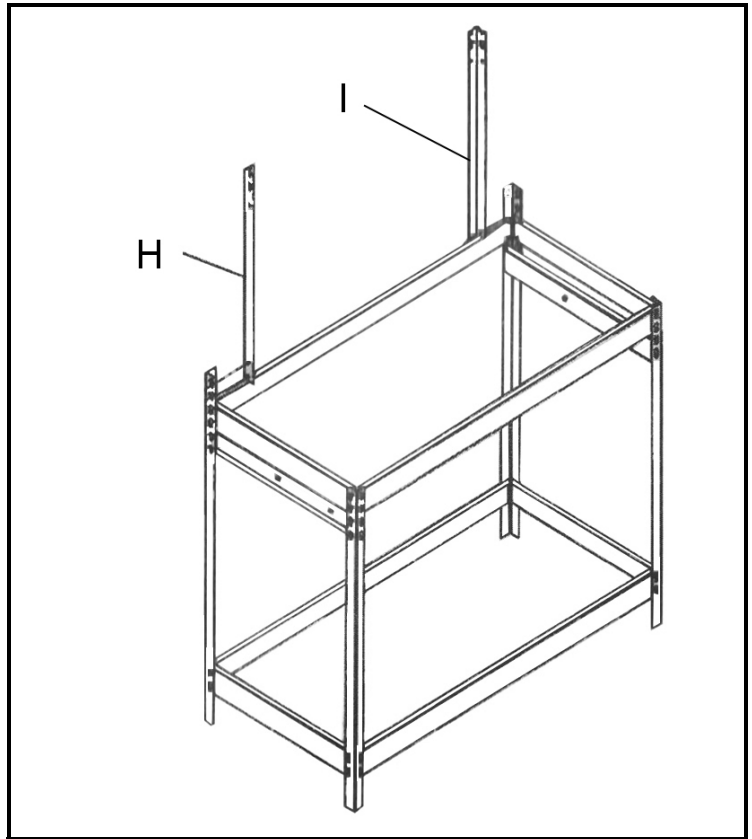
4. Identify the long beams.

- The one for the top rear has a single hole in it (for item V on page 6). This is to retain the bottom of the pegboard.

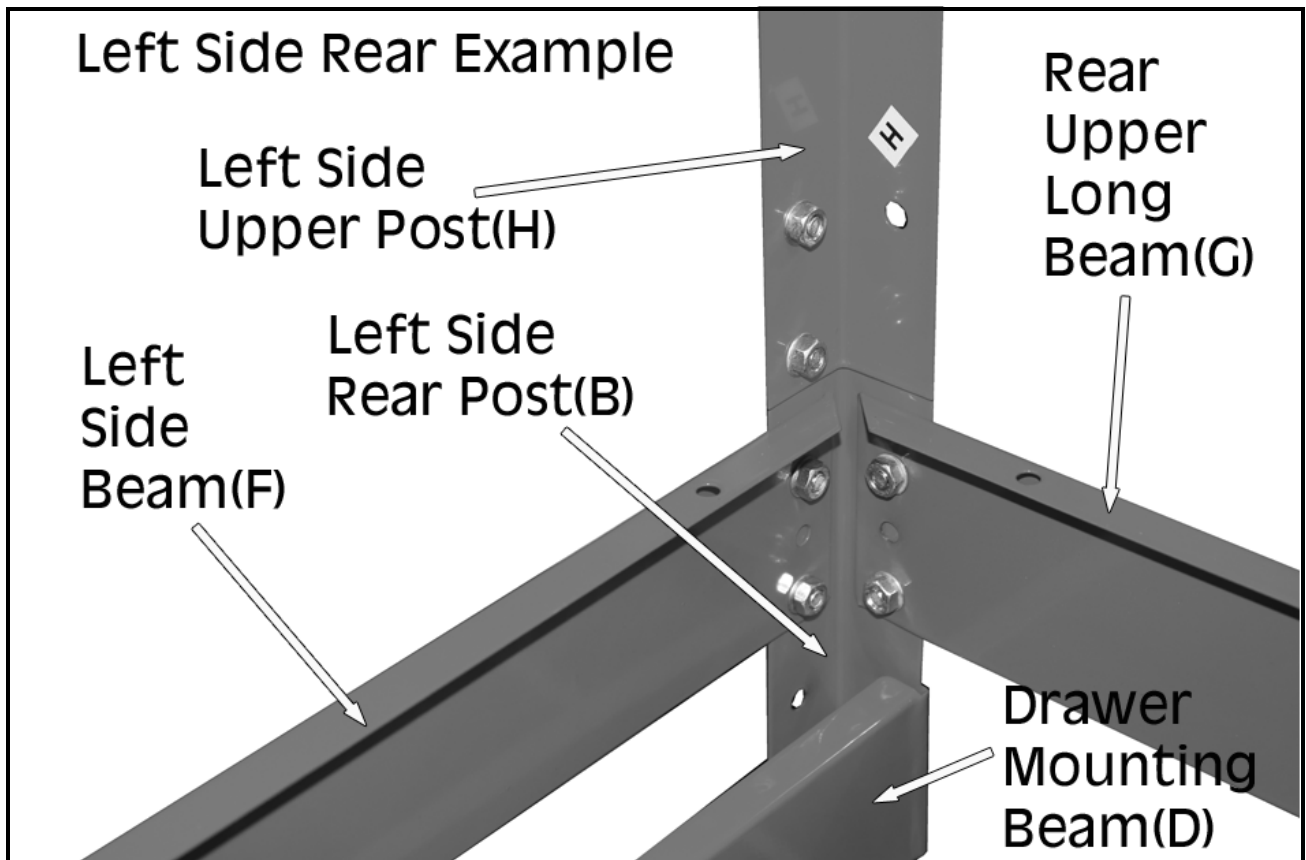
5. Fit the long beams (G) at the top of the corner posts to create the main frame using further bolts, washers & nuts.



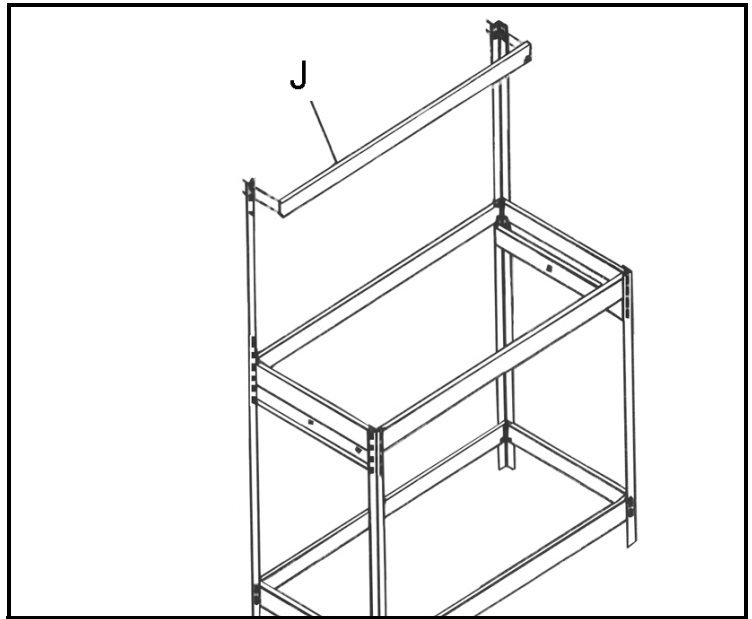
6. Identify the left/right handed upper post (H & I). Bolt them to the rear posts as shown using further bolts, washers & nuts



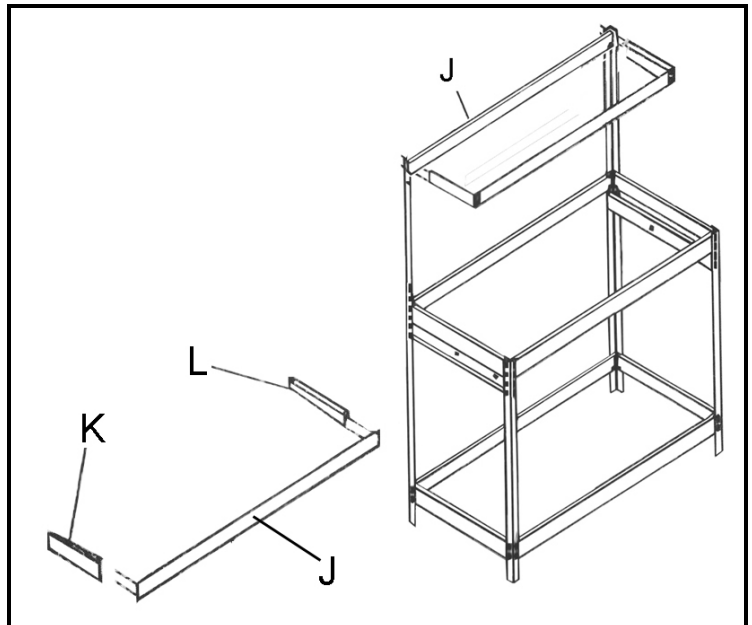
Left Side Rear Example

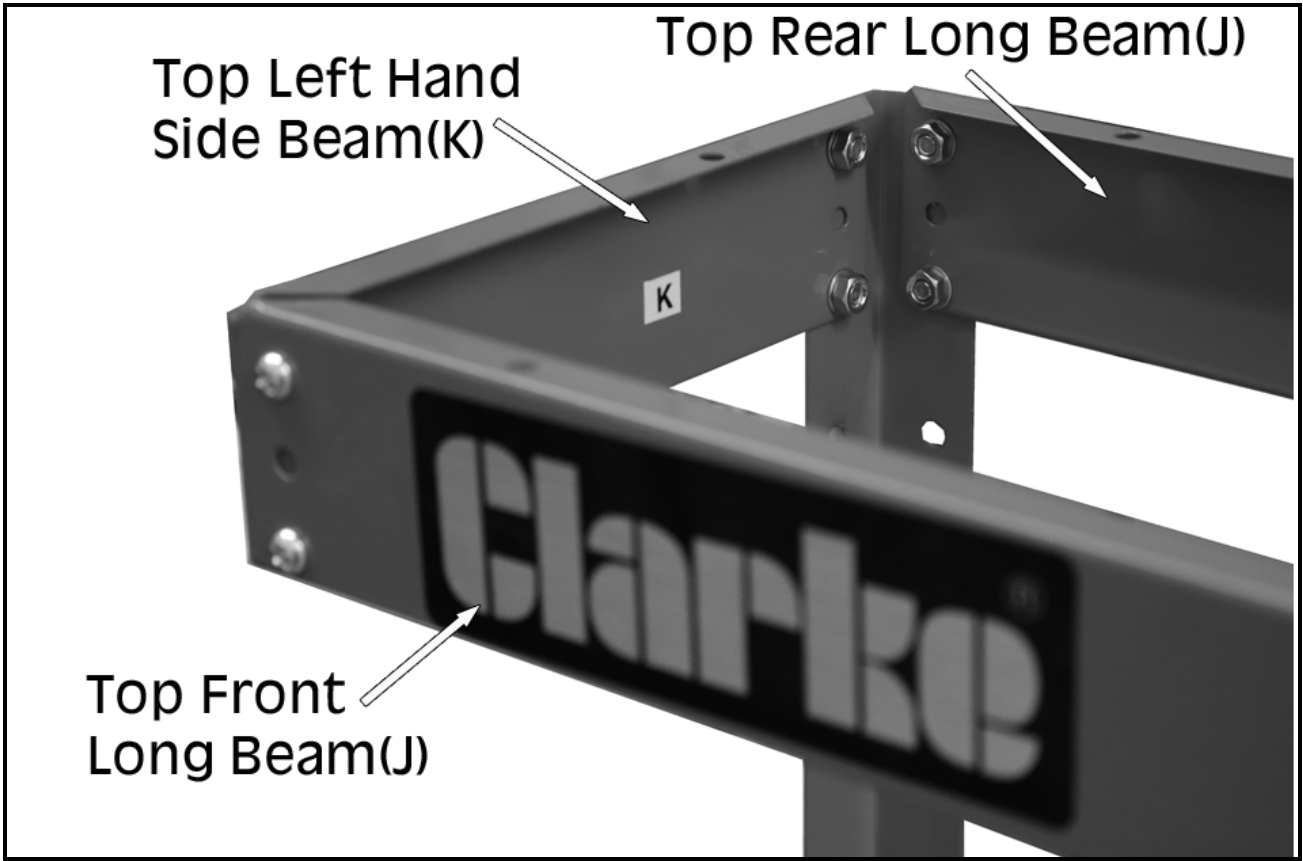


7. Attach one top long beam (J) to the rear surface of the post extensions using further bolts, washers & nuts.



8. Assemble the remaining top long beam (J) to the left/right top side beams (K/L).
9. Bolt this assembly to the side faces of the post extensions complete the frame.

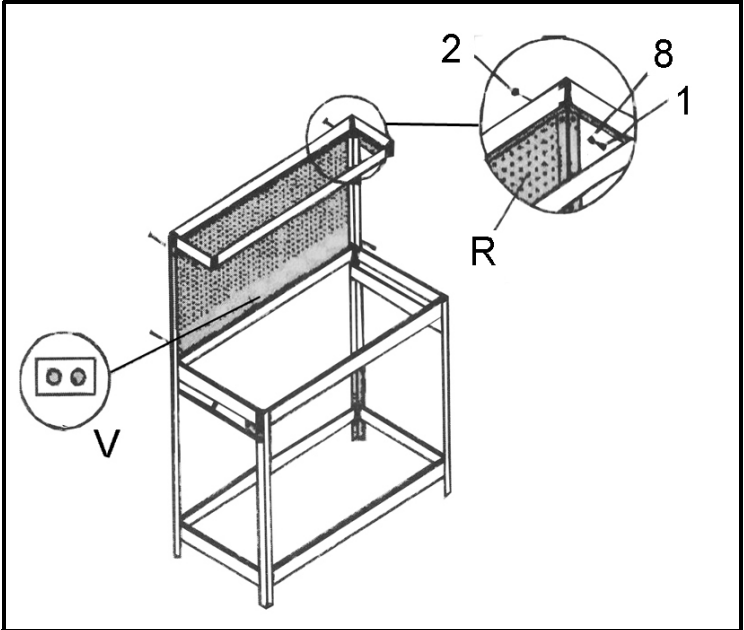


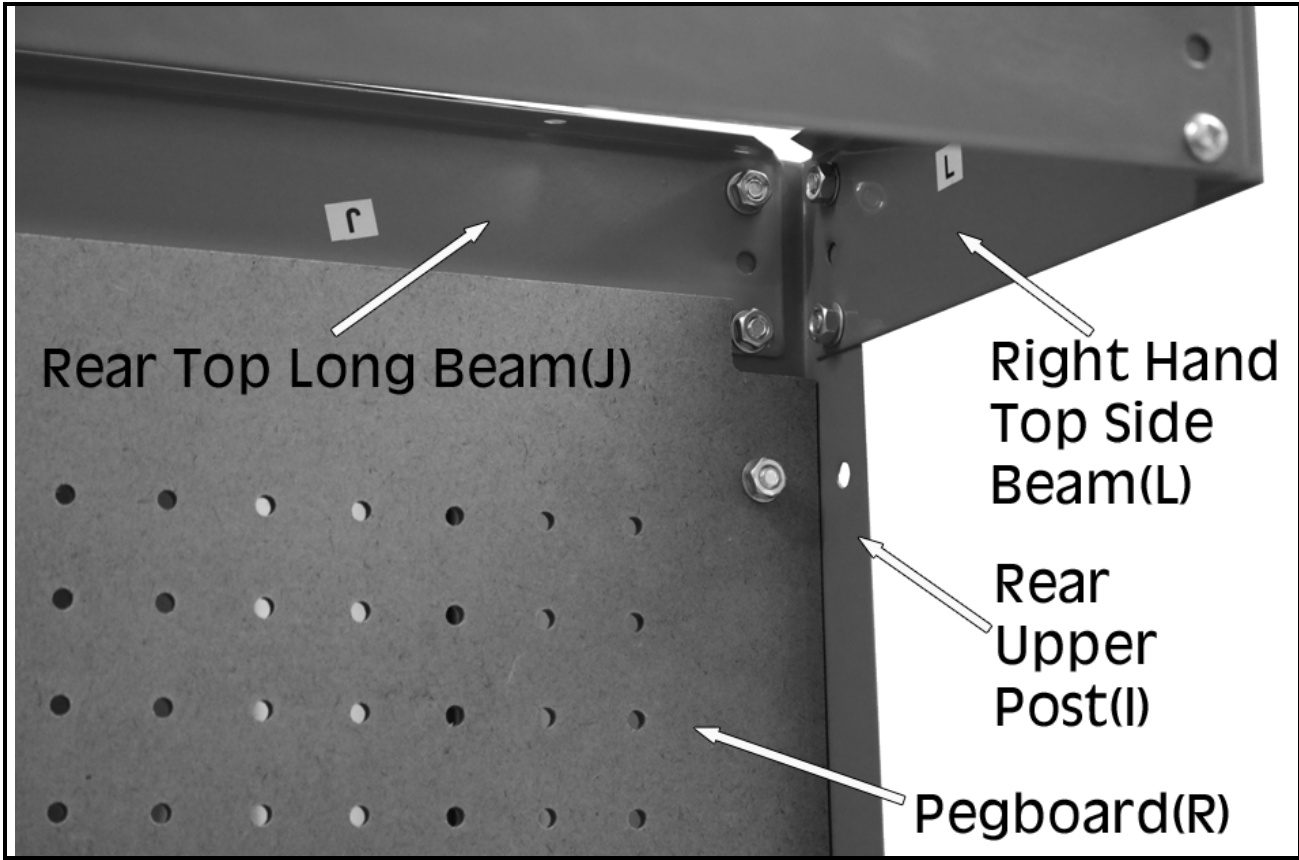
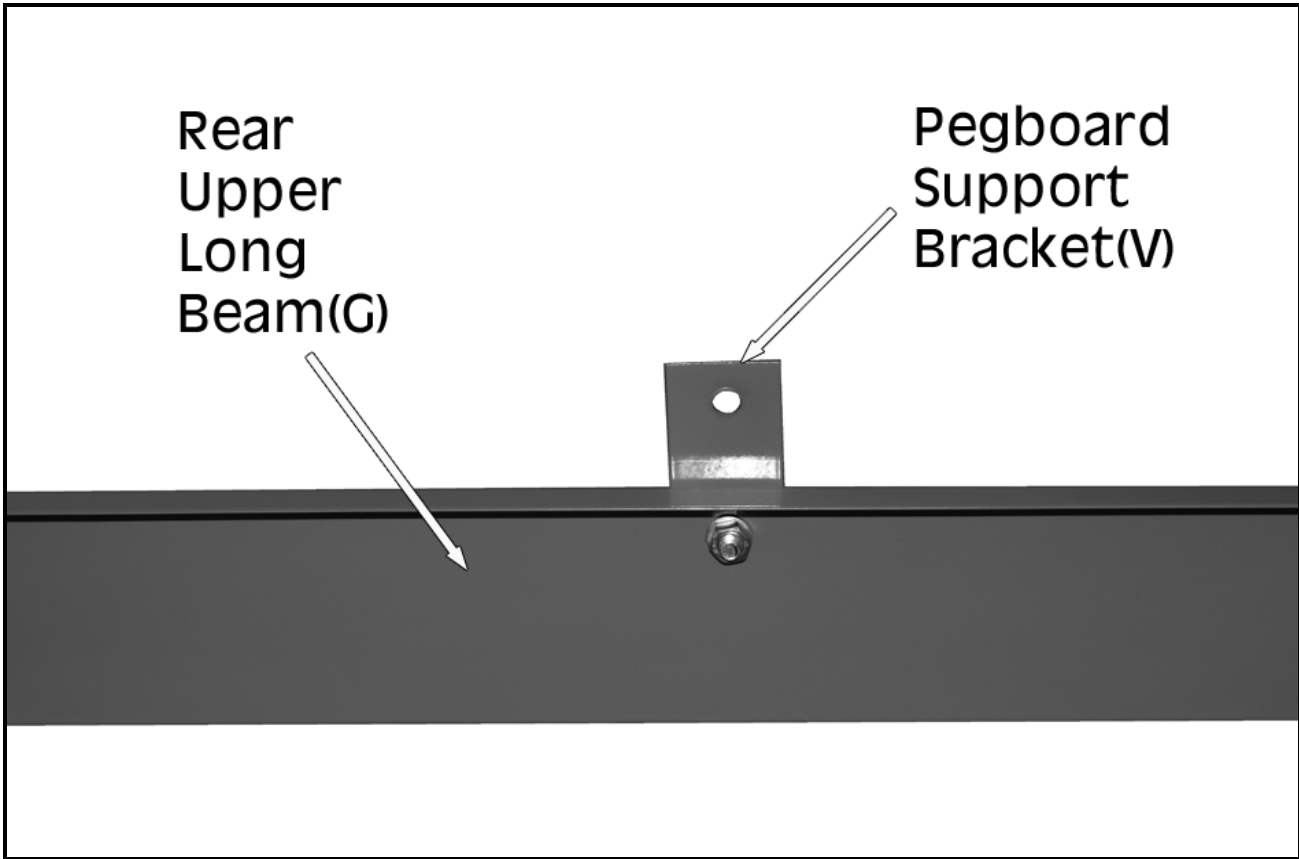


10. Attach the pegboard supporting bracket to the frame with two bolts/nuts/washers as shown.

11. Fit the pegboard (R) against the frame and secure using bolts (1), nuts (6) and washers (9) at the top corners.

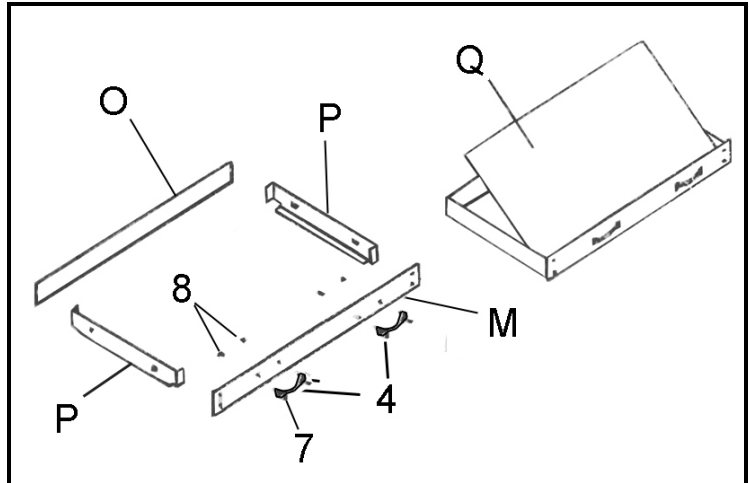
12. Fix the pegboard bottom edge to the frame with the support bracket (V).



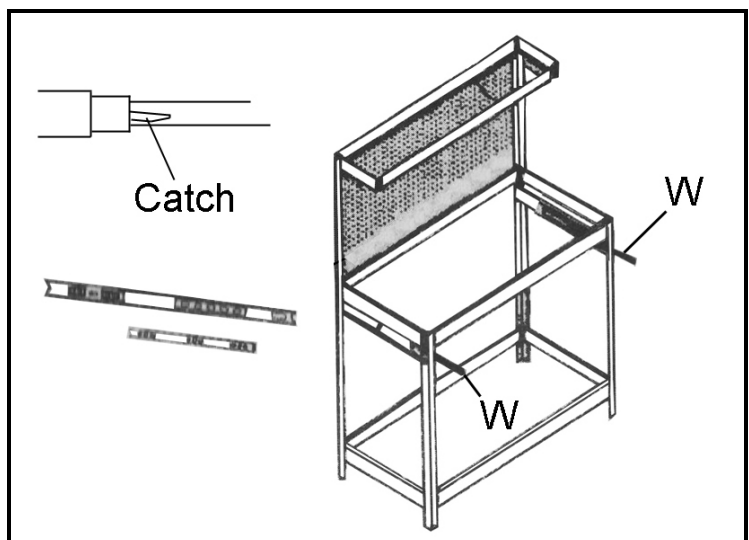


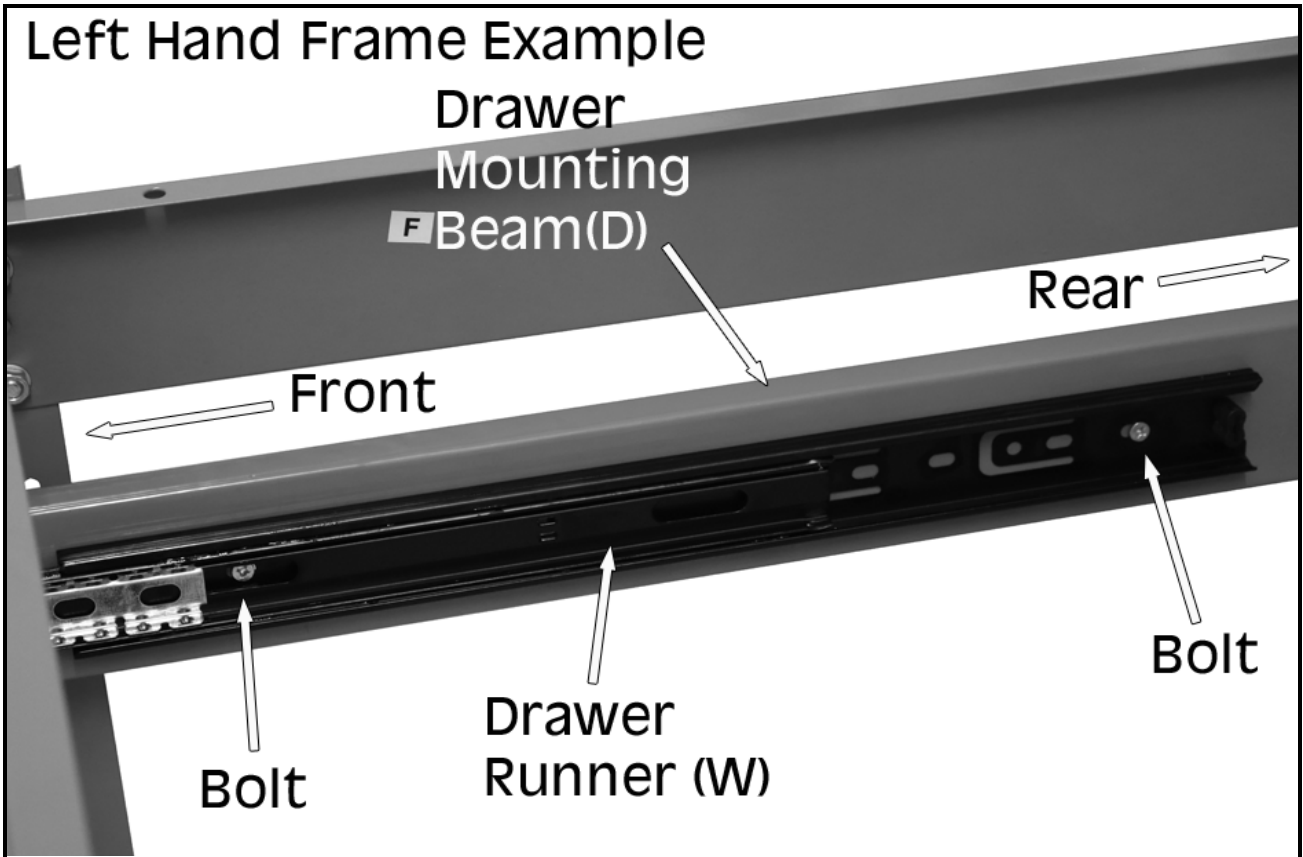
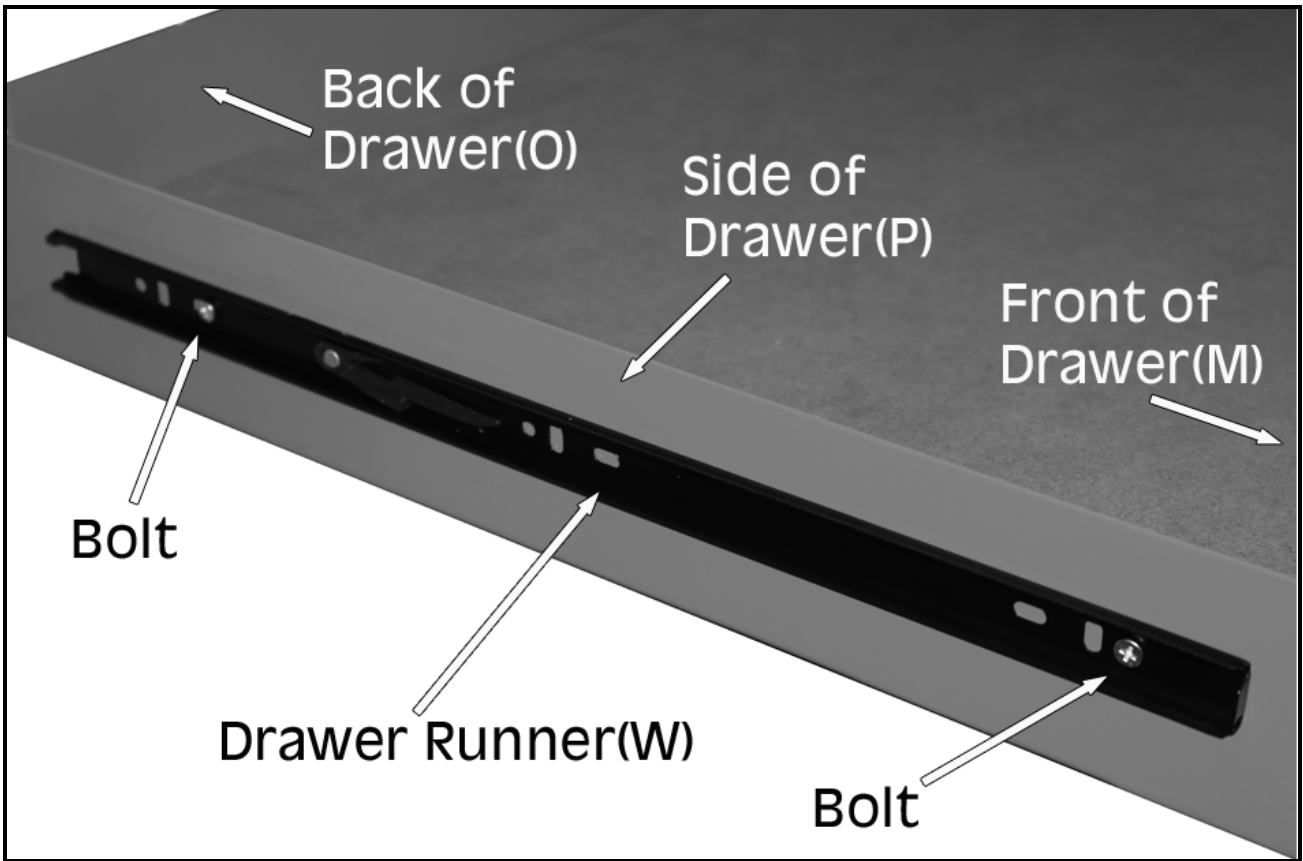
ASSEMBLE & FIT THE DRAWER

1. Assemble the side panels (P), rear panel (O) and front panel (M) of the drawer using bolts, washers and nuts as shown.
2. Rest the drawer bottom (Q) into the drawer frame.
3. Attach the handles (7) to the sliding drawer using four bolts (4) and nuts (8).

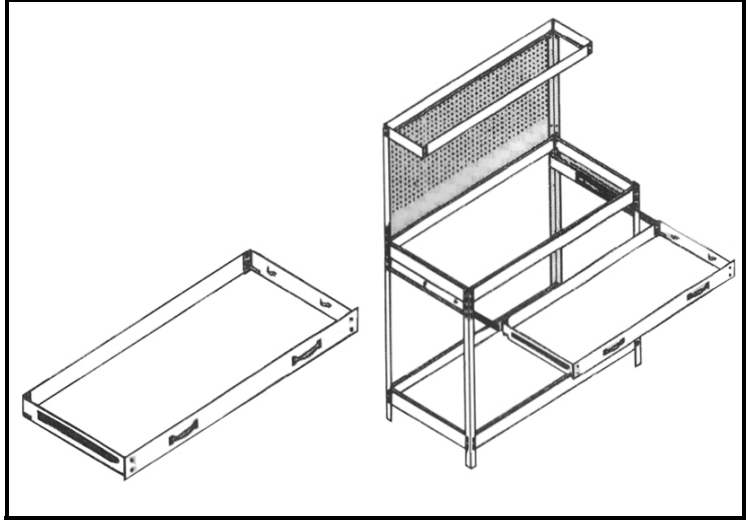


4. Add the draw runners (W) to the inside faces of the drawer mounting bars using bolts (4) and nuts (8) as follows.
- The runners are in two parts.
 - The wider part fits to the frame and the narrow part to the side of the drawer.



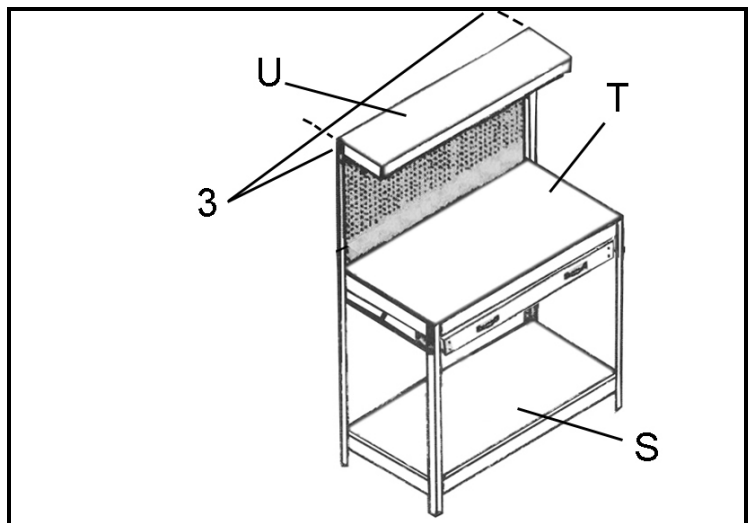


- The runner retaining bolts are inserted from inside to outside (with nuts outside).
5. Separate the narrow part from the middle part by means of the spring catch (just visible where the two parts meet).
 6. Screw the wide parts to the frame and the narrow parts to the drawer sides.
 7. Slide the drawer into position by lining up the parts of the runners on the frame with those on the drawer and sliding the draw into position.
- The catches will make a slight click as they lock the runner parts together.



FIT THE WORKTOP PANELS

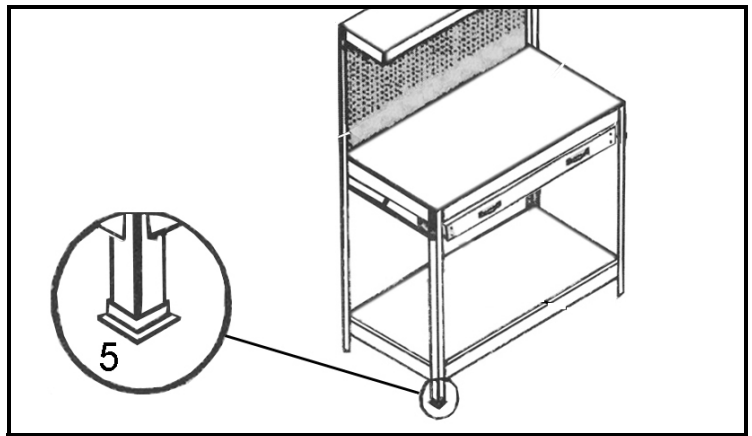
1. Fit the worktop panel (T) by placing it onto the frame and tapping it into position.
2. Fit the bottom shelf (S) by sliding it in from the side at an angle and resting it in position.
3. Fit the top shelf (U) to the frame and securing it with small screws (3).



4. Add the feet (5) to each of the corner posts.

5. Tighten all nuts & bolts to secure the assembly.

The hooks can be attached to the pegboard according to the size & shape of the items to be stored there.



CAUTION: DO NOT OVERLOAD THE DRAWER OR SHELF PANELS.

ASSOCIATED PRODUCTS

<p>Interlocking PVC Floor Tiles</p>	<p>Heavy Duty Boltless Shelving</p>	<p>2 Door Tall Locker Cabinet- CC76</p>
		
<ul style="list-style-type: none"> • Petrol, Oil, Grease & Non-Corrosive Chemical Resistant • Available in Black & Grey & Edging • 6mm x 450mm x 450mm • Part No. 3608005 	<ul style="list-style-type: none"> • Can support weight from 200kg - 1000kg • Available in 9 Different Colours & Sizes • Part No. On Application 	<ul style="list-style-type: none"> • Dimensions: 762mm x 460mm x 1575mm • Shelf Load Capacity: 24kg • 3 Adjustable Shelves • Part No. 7642030
<p>5 Drawer Mobile Tool Trolley - CTC105</p>	<p>Heavy Duty Cantilever Toolbox - CTB700B</p>	<p>12 Bin Organiser - CHT643</p>
		
<ul style="list-style-type: none"> • Dimensions: 760mm x 465mm x 790mm • Max. Drawer Load: 42kg • Part No. 7633020 	<ul style="list-style-type: none"> • Dimensions: 453mm x 209mm x 250mm • Weight: 5.5kg • Part No. 7631031 	<ul style="list-style-type: none"> • 8 x Small Bins: 109mm x 79mm x 96mm • 4 x Large Bins: 159mm x 109mm x 96mm • Part No. 1801643

A SELECTION FROM THE VAST RANGE OF

Clarke®

QUALITY PRODUCTS



AIR COMPRESSORS
From DIY to industrial, Plus air tools, spray guns and accessories.

GENERATORS
Prime duty or emergency standby for business, home and leisure.

POWER WASHERS
Hot and cold, electric and engine driven - we have what you need

WELDERS
Mig, Arc, Tig and Spot.
From DIY to auto/industrial.

METALWORKING
Drills, grinders and saws for DIY and professional use.

WOODWORKING
Saws, sanders, lathes, mortisers and dust extraction.

HYDRAULICS
Cranes, body repair kits, transmission jacks for all types of workshop use.

WATER PUMPS
Submersible, electric and engine driven for DIY, agriculture and industry.

POWERTOOLS
Angle grinders, cordless drill sets, saws and sanders.

STARTERS/CHARGERS
All sizes for car and commercial use.



PARTS & SERVICE: 0208 988 7400

Parts Enquiries
Parts@clarkeinternational.com

Servicing & Technical Enquiries
Service@clarkeinternational.com

SALES: UK 01992 565333 or Export 00 44 (0)1992 565335

Clarke INTERNATIONAL Hemnall Street, Epping, Essex CM16 4LG
www.clarkeinternational.com